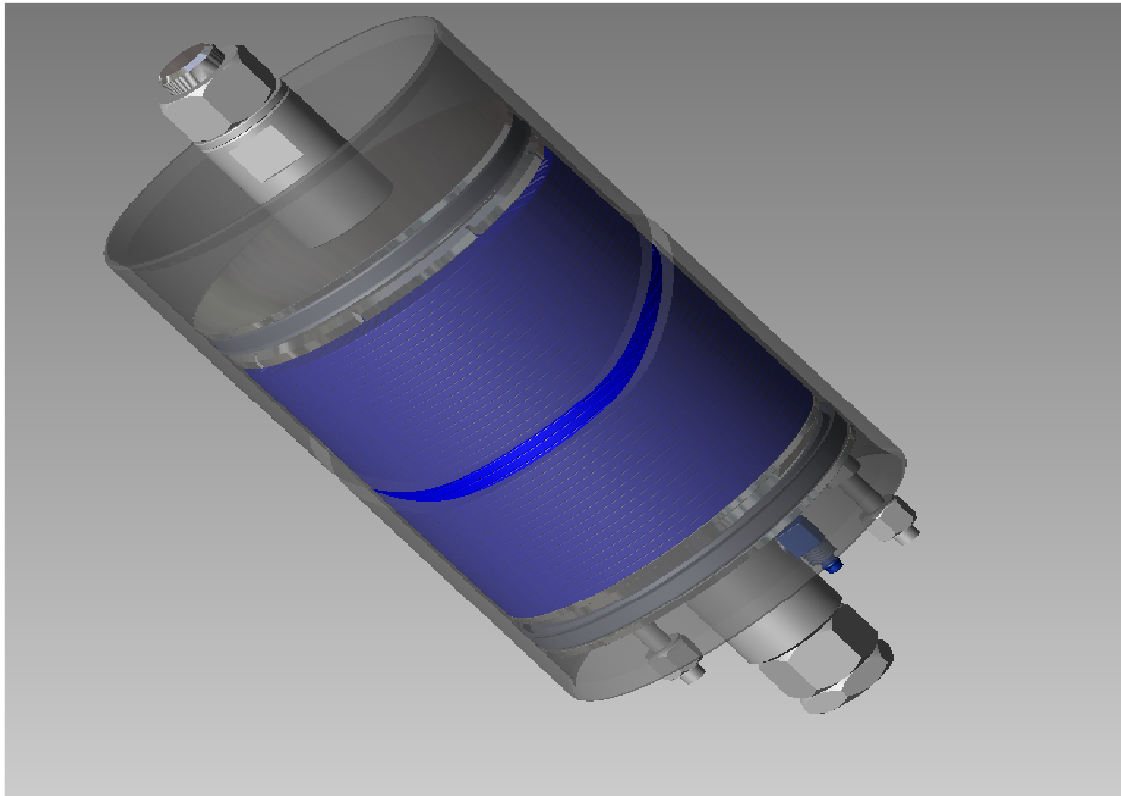


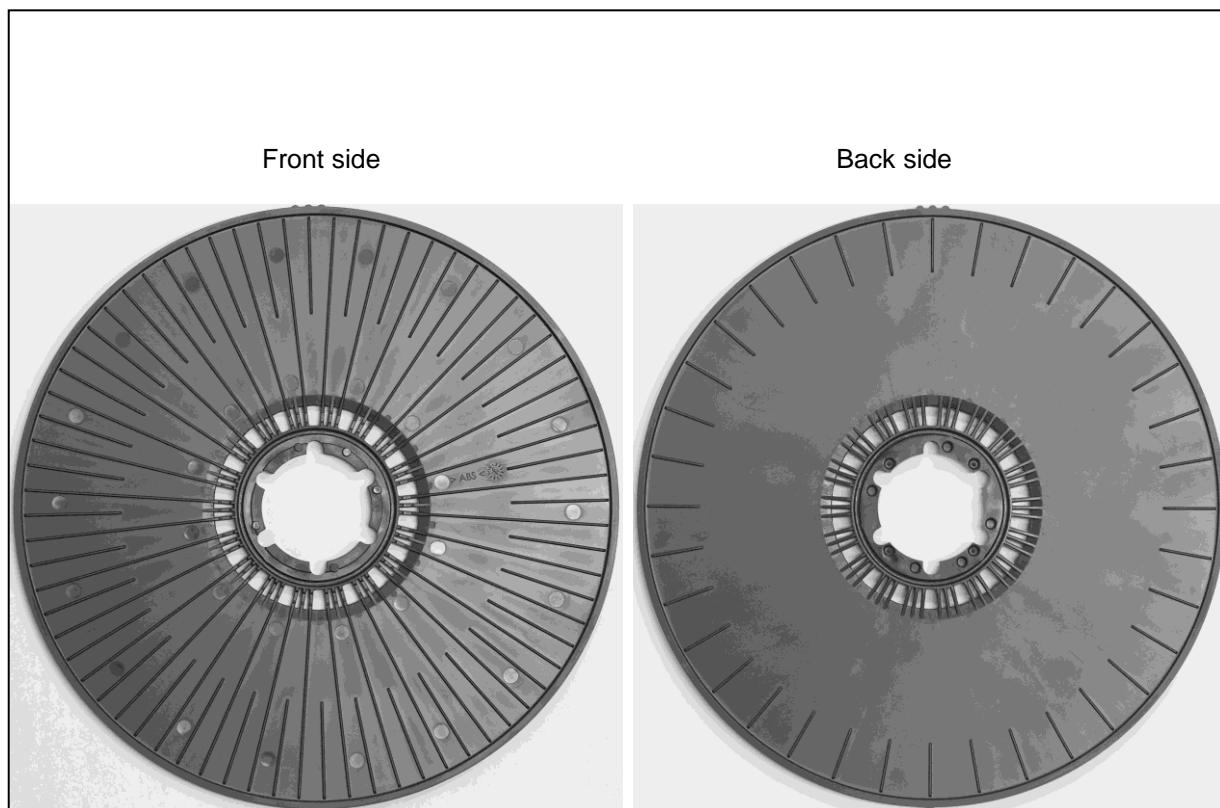
Datasheet

## Radial Channel Disc Tube Module 2.0



	<b>M</b>	<b>XL</b>	<b>XXL</b>	<b>M-High Pressure</b>
Membrane type:	RO Polyamide (TFC)	RO Polyamide (TFC)	RO Polyamide (TFC)	RO Polyamide (TFC)
Membrane area:	7,6 m <sup>2</sup> (8 m <sup>2</sup> )	9,6 m <sup>2</sup> (10 m <sup>2</sup> )	11,5 m <sup>2</sup> (12 m <sup>2</sup> )	7,6 m <sup>2</sup> (8 m <sup>2</sup> )
Membrane cushions:	171 pcs.	214 pcs.	257 pcs.	171 pcs.
RCDT disc 2.0:	172 pcs.	215 pcs.	258 pcs.	172 pcs.
Outer diameter GRP pressure vessel:	214 mm f. 75 bar 218 mm f. 90 bar	214 mm f. 75 bar 218 mm f. 90 bar	214 mm f. 75 bar 218 mm f. 90 bar	224 mm +/- 2 mm
Inner diameter GRP pressure vessel:	202 mm +/-0 mm (8")	202 mm +/-0 mm (8")	202 mm +/-0 mm (8")	202 mm +/-0 mm (8")
Length of GRP pressure vessel:	1.000 mm	1.230 mm	1.430 mm	1.020 mm
Tie rod length:	1.220 mm	1.430 mm	1.630 mm	1.240 mm
Max. operating pressure:	Up to 90 bar	Up to 90 bar	Up to 90 bar	Up to 160 bar
Nominal feed flow:	1000 l/h	1000 l/h	1000 l/h	1000 l/h
Max. temperature at cleaning:	40°C	40°C	40° C	40°C
operating pH range:	5 - 9	5 - 9	5 - 9	5 - 9
cleaning pH range	3 - 12	3 - 12	3 - 12	3 - 12
Free chlorine tolerance:	<0,1ppm	<0,1ppm	<0,1ppm	<0,1ppm

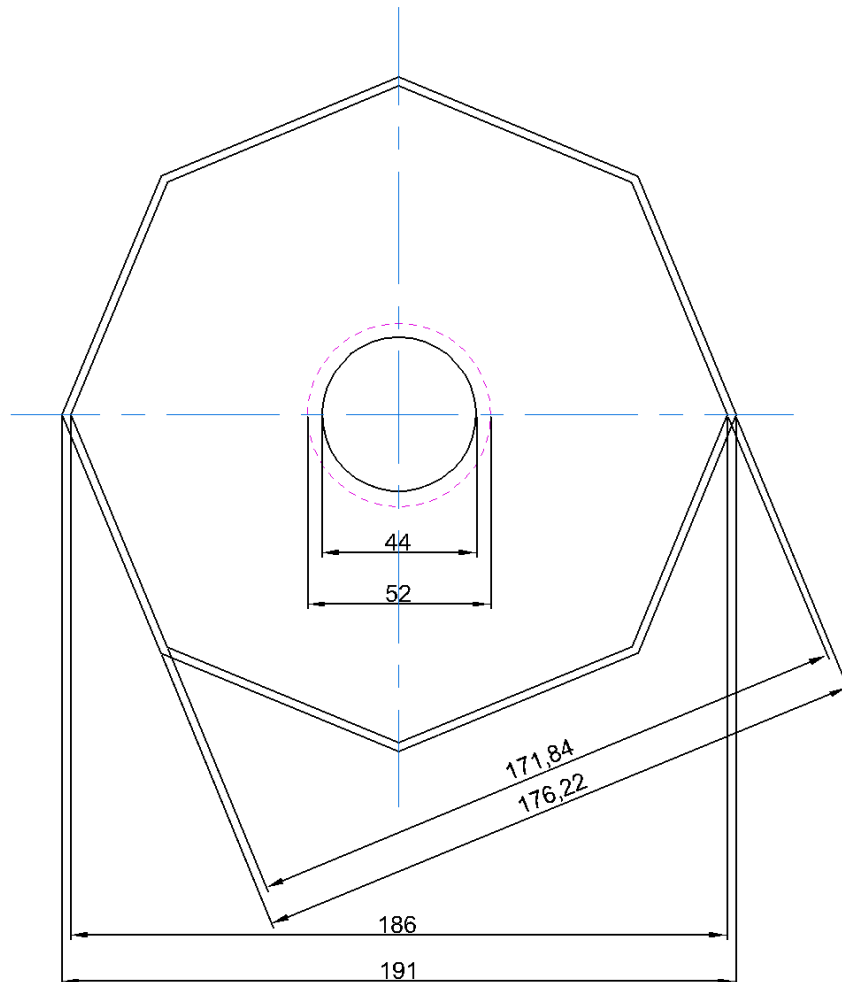
## RCDT-disc 2.0:



Material:	ABS
Weight:	70,8 g +/- 5 g
Type:	Round
Outer diameter:	198 mm +/- 0,5 mm
Inner diameter:	35,5 mm +/- 0,5 mm
Edge thickness:	5 mm

## Membrane cushion:

### Octagonal type

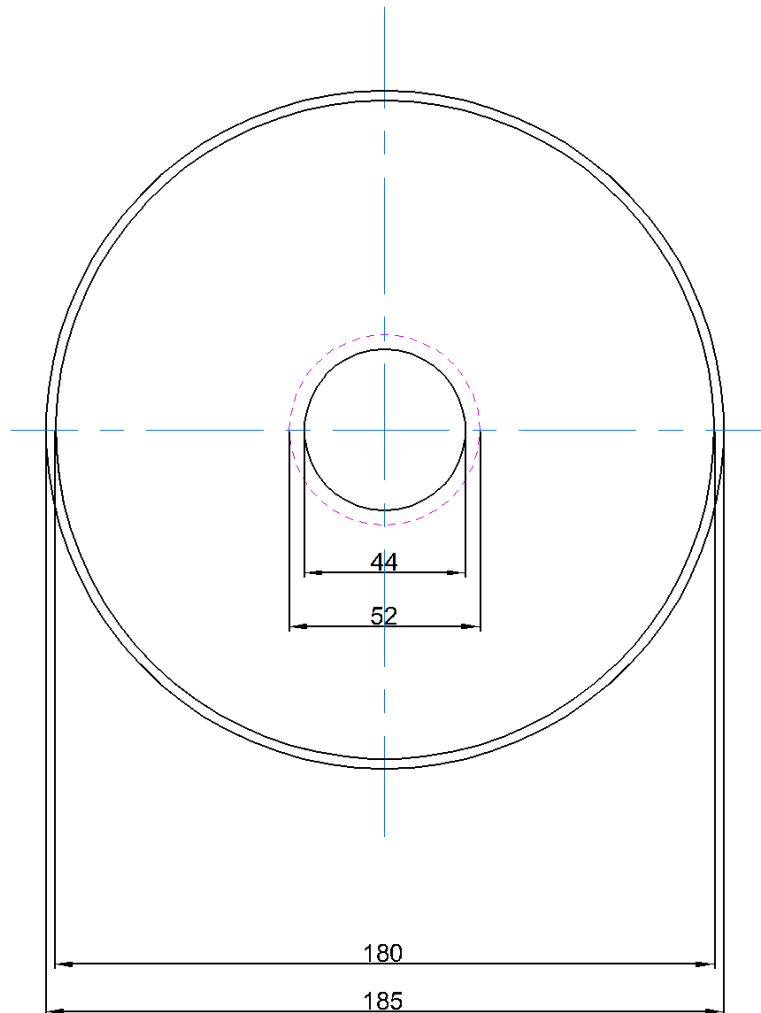


	<b>BW 30</b>	<b>SW 30</b>
Material:	Polyamide TFC	Polyamide TFC
Type:	octagonal	octagonal
Outer diameter:	191 mm +/- 2 mm	191 mm +/- 2 mm
Inner diameter:	44 mm +/- 2 mm	44 mm +/- 2 mm
Nominal NaCl rejection at 25°C:	99,2%	99,6%
Salt rejection range in waste water: *	95,0% - 99,0%	97,5% - 99,5%

\*: Depending on following factors: Waste water characteristic, Temperature, Recovery rate, Operating pressure, Feed flow.

## Membrane Cushion:

### Round type



	<b>BW 30</b>	<b>SW 30</b>
Material:	Polyamide TFC	Polyamide TFC
Type:	Round	Round
Outer diameter:	185 mm +/- 2 mm	185 mm +/- 2 mm
Inner diameter:	44 mm +/- 2 mm	44 mm +/- 2 mm
Nominal NaCl rejection at 25°C:	99,2%	99,6%
Salt rejection range in waste water: *	95,0% - 99,0%	97,5% - 99,5%

\*: Depending on following factors: Waste water characteristic, Temperature, Recovery rate, Operating pressure, Feed flow.